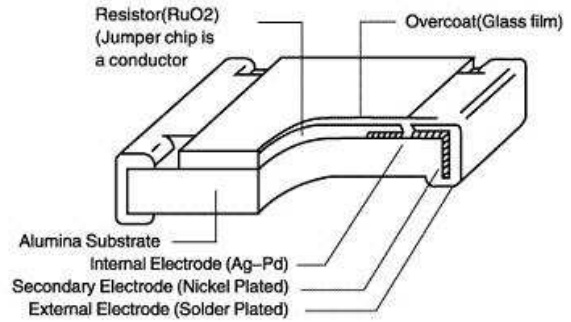
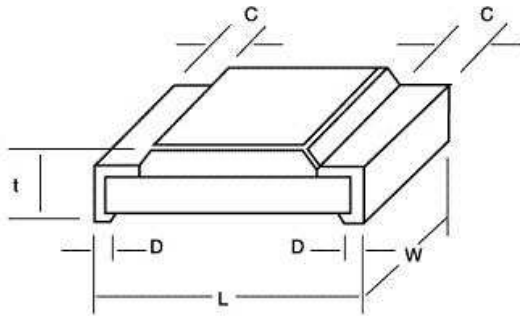


RC 厚膜晶片電阻器 THICK FILM CHIP RESISTOR

DIMENSION



SPECIFICATIONS

| TAD 型名 TYPE | INCH | MM | 額定電力 POWER RATING | 最高使用電壓 MAXIMUM WORKING VOLTAGE | 最高過負荷電壓 MAXIMUM OVERLOAD VOLTAGE | DIMENSIONS(mm) | | | | | 阻值範圍 RESISTANCE RANGE | 使用溫度範圍 OPERATING TEMP. RANGE | 標準包裝數量 PIECES A REEL | |
|----------------|------|------|---------------------------|-----------------------------------------|-------------------------------------------|----------------|----------|-----------|---------------------------------------|---------------------------------------|-----------------------------|------------------------------------|----------------------------|-------|
| | | | | | | L | W | C | D | t | | | | |
| RC32 | 0402 | 1005 | 1/16W 0.063w | 25V | 50V | 1.0±0.05 | 0.5±0.05 | 0.2±0.1 | 0.25 ^{+0.05} _{-0.1} | 0.36±0.05 | JF 10Ω-22MΩ | -55℃ 125℃ | 10,000 | |
| RC06 | 0603 | 1608 | 1/10W 0.1w | 50V | 100V | 1.6±0.1 | 0.85±0.1 | 0.3±0.2 | 0.2 ^{+0.2} _{-0.1} | 0.45±0.05 | J 1.0Ω-10MΩ | | 5,000 | |
| RC10 | 0805 | 2012 | 1/10W 0.1w 1/8W 0.125w | 150V 100V | 300V 200V | 2.05±0.1 | 1.3±0.1 | 0.4±0.2 | 0.3 ^{+0.2} _{-0.1} | 0.45 ^{+0.1} _{-0.05} | | | G 1.0Ω-10MΩ | 5,000 |
| RC18 | 1206 | 3216 | 1/4W 0.25w | 200V | 400V | 3.1±0.1 | 1.6±0.1 | 0.45±0.25 | 0.4 ^{+0.2} _{-0.1} | 0.55 ^{+0.1} _{-0.05} | F 1.0Ω-22MΩ | | | 5,000 |
| RC14 | 1210 | 3225 | 1/4W 0.25w | 200V | 400V | 3.2±0.2 | 2.6±0.2 | 0.5±0.2 | 0.5±0.3 | 0.6±0.1 | | | | 5,000 |
| RC12 | 2010 | 5025 | 1/2W 0.5w | 200V | 400V | 5.0±0.2 | 2.5±0.2 | 0.6±0.2 | 0.6±0.2 | 0.6±0.1 | | | | 4,000 |
| RC1W | 2512 | 6332 | 1w | 200V | 400V | 6.4±0.2 | 3.2±0.2 | 0.7±0.2 | 0.7±0.2 | 0.6±0.1 | | | | 4,000 |

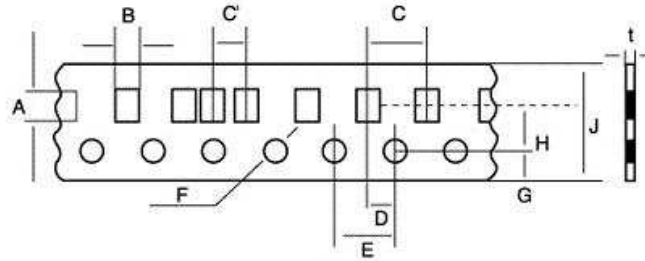
ELECTRICAL PERFORMANCE

| Test Items | Test Method | Spec. |
|------------------------------|------------------------------------------------------------------------|----------------|
| Temperature Cycling | MIL-STD-202F Method 107 Cycle between -55℃ and +125℃ for 5 cycles | ±(1.0%+0.05Ω) |
| Low Temperature Operation | MIL-R-55342D, Para 4.7.4 one Hr at -55℃ followed by 45 minutes of RCWV | ±(1.0%+0.05Ω) |
| Short Time Overload | MIL-R-55342D, Para 4.7.5 Apply rated voltage 2.5 times for 5 secs | ±(2.0%+0.10Ω) |
| Resistance to Soldering Heat | MIL-R-55342D, Para 4.7.7 260℃ for 10 secs | ±(1.0%+0.05Ω) |
| Loading Life in Moisture | MIL-STD-202F Method 106E 40℃, 1000 Hrs at RCWV, 1.5Hr On; 0.5Hr Off. | ±(3.0%+0.10Ω) |
| High Temperature Exposure | MIL-R-55342D, Para 4.7.6 1000 Hrs at 125℃ | ±(2.0%+0.10Ω) |
| Load Life | MIL-STD-202F Method 108A 70℃, 1000 Hrs at RCWV, 1.5Hr On; 0.5Hr Off. | ±(3.0%+0.10Ω) |
| Solder Heat Resistance | MIL-STD-202F Method 208 Immerse in solder for 5 secs at 230℃ | Coverage ≥ 95% |
| Bending Strength | 5mm deflection in either direction for 10 secs | ±(1.0%+0.05Ω) |

*RCWV: Rated Continuous Working Voltage

RC 厚膜晶片電阻器 THICK FILM CHIP RESISTOR

TAPING

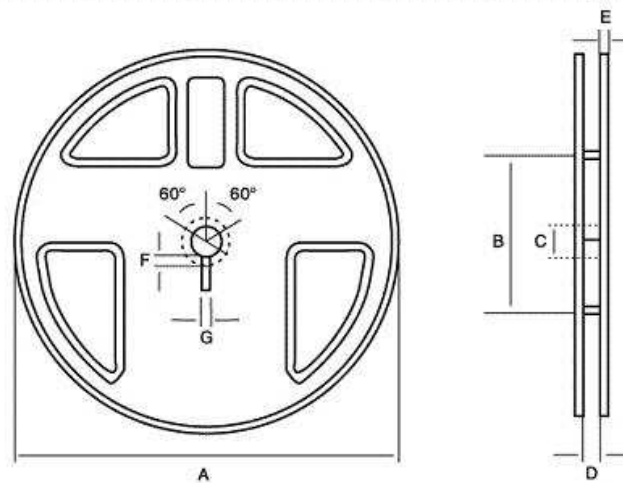


Accumulated dimensional tolerance $40 \pm 0.2\text{mm}$

C'=RC32

Unit: mm

| | A | B | C | D | E | F | G | H | J | t |
|--------------|-----------------------------------------------------------|-----------------------------------------------------------|----------------|----------------|----------------|--------------------------------------------------------|----------------|----------------|---------------|----------------|
| RC32 0402 | 1.13 ± 0.05 | 0.63 ± 0.05 | 2.0 ± 0.05 | 1.0 ± 0.05 | 2.0 ± 0.05 | $1.5 \begin{smallmatrix} +0.1 \\ -0 \end{smallmatrix}$ | 1.75 ± 0.1 | 3.5 ± 0.05 | 8.0 ± 0.3 | 0.55 ± 0.1 |
| RC06 0603 | 1.9 ± 0.2 | 1.1 ± 0.2 | 4.0 ± 0.1 | 2.0 ± 0.05 | 4.0 ± 0.1 | $1.5 \begin{smallmatrix} +0.1 \\ -0 \end{smallmatrix}$ | 1.75 ± 0.1 | 3.5 ± 0.05 | 8.0 ± 0.3 | 0.7 ± 0.1 |
| RC10 0805 | 2.4 ± 0.2 | 1.65 ± 0.2 | 4.0 ± 0.1 | 2.0 ± 0.05 | 4.0 ± 0.1 | $1.5 \begin{smallmatrix} +0.1 \\ -0 \end{smallmatrix}$ | 1.75 ± 0.1 | 3.5 ± 0.05 | 8.0 ± 0.3 | 0.9 ± 0.1 |
| RC18 1206 | $3.6 \begin{smallmatrix} +0.1 \\ -0.15 \end{smallmatrix}$ | $2.0 \begin{smallmatrix} +0.1 \\ -0.15 \end{smallmatrix}$ | 4.0 ± 0.1 | 2.0 ± 0.05 | 4.0 ± 0.1 | $1.5 \begin{smallmatrix} +0.1 \\ -0 \end{smallmatrix}$ | 1.75 ± 0.1 | 3.5 ± 0.05 | 8.0 ± 0.3 | 0.9 ± 0.1 |
| RC14 1210 | 3.5 ± 0.1 | 2.9 ± 0.1 | 4.0 ± 0.1 | 2.0 ± 0.05 | 4.0 ± 0.1 | $1.5 \begin{smallmatrix} +0.1 \\ -0 \end{smallmatrix}$ | 1.75 ± 0.1 | 3.5 ± 0.05 | 8.0 ± 0.3 | 0.9 ± 0.1 |
| RC12 2010 | 5.3 ± 0.1 | 2.9 ± 0.1 | 4.0 ± 0.1 | 2.0 ± 0.05 | 4.0 ± 0.1 | $1.5 \begin{smallmatrix} +0.1 \\ -0 \end{smallmatrix}$ | 1.75 ± 0.1 | 5.5 ± 0.05 | 12 ± 0.2 | 1.0 ± 0.1 |
| RC1W 2512 | 5.6 ± 0.1 | 3.4 ± 0.1 | 4.0 ± 0.1 | 2.0 ± 0.05 | 4.0 ± 0.1 | $1.5 \begin{smallmatrix} +0.1 \\ -0 \end{smallmatrix}$ | 1.75 ± 0.1 | 5.5 ± 0.05 | 12 ± 0.2 | 1.0 ± 0.1 |



Unit: mm

| TYPE | A | B | C | D | E | F | G |
|------|------------------------------------------------------|-----------------------------------------------------|--------------|----------------|---------------|---------------|---------------|
| RC1W | $180 \begin{smallmatrix} +0 \\ -3 \end{smallmatrix}$ | $60 \begin{smallmatrix} +1 \\ -3 \end{smallmatrix}$ | 13 ± 0.5 | 13.5 ± 0.3 | 1.2 ± 0.3 | 4.0 ± 0.5 | 2.0 ± 0.2 |
| RC12 | | | | | | | |
| RC14 | | | | | | | |
| RC18 | | | | | | | |
| RC10 | 178 ± 2 | 80 ± 0.2 | 13 ± 0.5 | 10 ± 0.1 | 1.5 ± 0.3 | 4.0 ± 0.5 | 2.5 ± 0.5 |
| RC06 | | | | | | | |
| RC32 | | | | | | | |